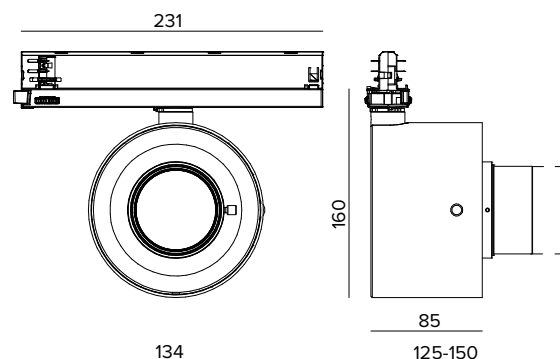


T039ZMP940CAPW | ZENO 130 Zoom

Professional adjustable LED projector with a variable light beam opening



The fixture's photometric values can be found on the following pages



The figures on the drawing are expressed in mm.

SOURCE

High efficiency Chip on Board LED Ra90. Ra97 on request.

Energy efficiency class: D

Nominal power: 25W

Nominal flux: 3409lm

Colour rendering index: 90

Rf: 90

Rg: 98

CCT nominal: 4000K

Lifetime (L80/B10): >50000h tq +25°C

ILLUMINOTECHNICAL CHARACTERISTICS

Classic ZOOM system with the objective at a variable distance from the source for a beam opening from Spot to Flood. Telescopic optics holders in black anti-reflective anodised aluminium. Plano convex lens in optical glass, highly reflective anodised aluminium reflector, PMMA front diffusor. Tool-free adjustment. Fall arrest safety system for the mobile part.

Optic: ZOOM

Beam angles: SP-FL

Optical efficiency: See photometries

Fixture flux: See photometries

Luminous efficacy: See photometries

Photobiological safety: Compliant with RG1 low risk group

MECHANICAL CHARACTERISTICS

Die-cast painted aluminium optical unit. The optical unit can be adjusted from 0 to -90° on the vertical plane; and 355° on the horizontal plane with aiming blocking system.

Colour and finish: Plaster white

Weight: 0.85Kg

Degree of protection: IP20

ELECTRICAL CHARACTERISTICS

CASAMBI electronic driver integrated into the track adapter.

Fixture Power: 29W

Power supply: 220-240Vac 50/60Hz

Insulation Class: CLASS 2

Type of driver / Control: CASAMBI

Driver included: YES

Class F: YES

SAFE FLICKER: PstLM=<1 and SVM=<0.4 (IEC TR 61547-1 and IEC TR 63158), to ensure a more comfortable and safe light

Ambient temperature: 0°C / +25°C

INSTALLATION

Electrified track mounting.

NOTES

110-277Vac version available on request. Commissioning of the control system via free APP; the intervention of a specialist technician can be quoted on request.

WARRANTY

5 years.

WARNING

Luminaire designed for disposal/recycling at end-of-life. Replaceable (LED only) light source by a professional. Replaceable control gear by a professional.

Due to the technological evolution of the electronic components, the data provided may be updated, and as such, confirmation must be requested during the order process.

Luminous flux and power supply have +/-10% tolerances with respect to the indicated value. tq +25°C (CIE 121).

We reserve the right to make technical changes.

Targetti Sankey S.r.l.
Via Pratese, 164
50145 Firenze - Italy
Tel: +39 055 37911
targetti.com
targetti@targetti.com

CCIAA Firenze
Share Capital:
€ 500.000,00
VAT N. (IT):
01537660480
R.E.A: FI-275656

TARGETTI

T039ZMP940CAPW | ZENO 130 Zoom

Professional adjustable LED projector with a variable light beam opening

		4000K	H(m)	D(m)	Emax(lx)	
		Ra90		11°		
Fixture Power		29W	1	0.20	12824	
Source Flux		3409lm	2	0.39	3206	
Fixture Flux		557lm	3	0.59	1425	
Efficacy		20lm/W	4	0.79	801	
TS1693	I _{max} =3762cd/klm	I _{max}	12824cd	5	0.99	513

		4000K	H(m)	D(m)	Emax(lx)	
		Ra90		31°		
Fixture Power		29W	1	0.55	4763	
Source Flux		3409lm	2	1.10	1191	
Fixture Flux		1259lm	3	1.66	529	
Efficacy		44lm/W	4	2.21	298	
TS1694	I _{max} =1414cd/klm	I _{max}	4820cd	5	2.76	191

SP

Fixture flux	557lm
Luminous efficacy	20lm/W
Optical efficiency	16%

FL

Fixture flux	1259lm
Luminous efficacy	44lm/W
Optical efficiency	37%

Due to the technological evolution of the electronic components, the data provided may be updated, and as such, confirmation must be requested during the order process.

Luminous flux and power supply have +/-10% tolerances with respect to the indicated value. tq +25°C (CIE 121).

We reserve the right to make technical changes.

Targetti Sankey S.r.l.
Via Pratese, 164
50145 Firenze - Italy
Tel: +39 055 37911
targetti.com
targetti@targetti.com

CCIAA Firenze
Share Capital:
€ 500.000,00
VAT N. (IT):
01537660480
R.E.A.: FI-275656

TARGETTI